



SPM-K8

WALL MOUNT BRACKET
SUPPORT MURAL

サウンドプロジェクター壁掛け金具

Installation Manual

Manuel d'installation

Installationsanleitung

Instllationsanvisningar

Manuale d'installazione

Manual de instalación

Installatiehandleiding

安装说明书

설치 설명서

取付説明書

English

Français

Deutsch

Svenska

Italiano

Español

Nederlands

中文

한국어

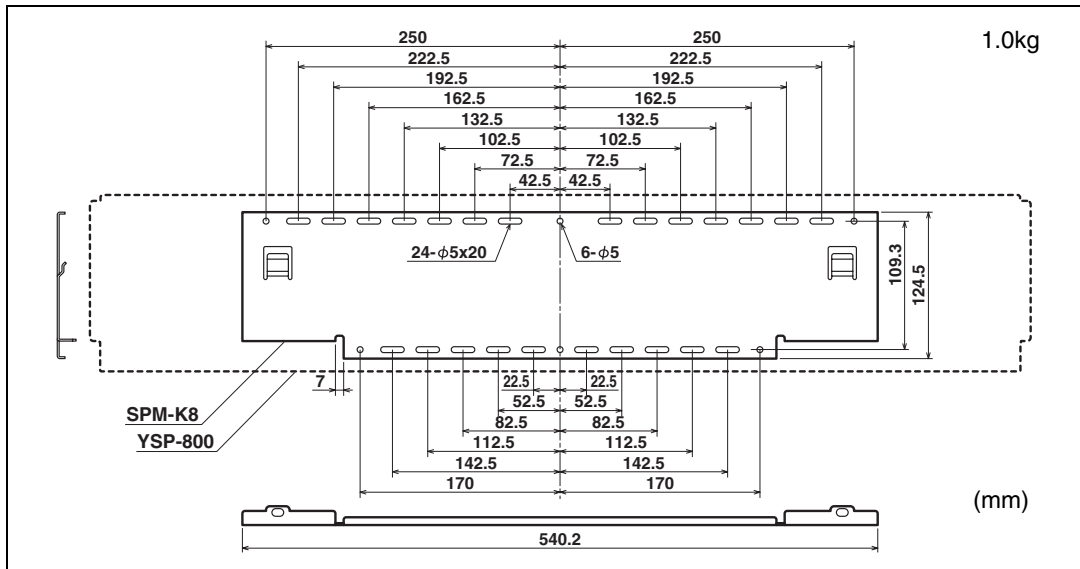
日本語

DIMENSIONS
DIMENSIONS
ABMESSUNGEN
MATTSKISSER
DIMENSIONI

DIMENSIONES
AFMETINGEN
 各个部分的尺寸
 크기
 各部の寸法

Large wall mount bracket
Grand support mural
Große Wandhalterung
Stort väggmonteringsfäste
Staffa di installazione a muro grande

Soporte de montaje en pared grande
Grote wandbevestigingsbeugel
 挂壁托架 (大)
 대형 벽 마운트 브라켓
 壁掛け金具 (大)

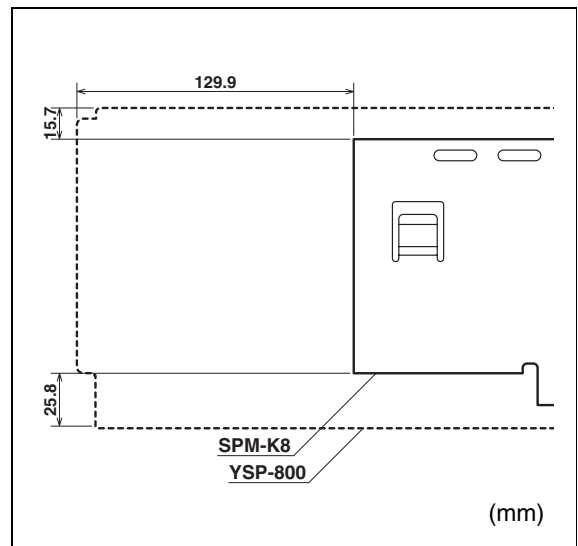
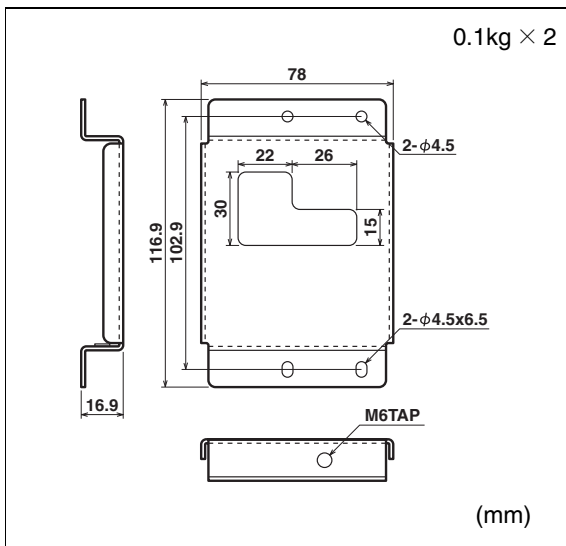


Small wall mount bracket
Petit support mural
Kleine Wandhalterung
Litet väggmonteringsfäste
Staffa di installazione a muro piccola

Soporte de montaje en pared pequeño
Kleine wandbevestigingsbeugel
 挂壁托架 (小)
 소형 벽 마운트 브라켓
 壁掛け金具 (小)

Unit with bracket
Le système avec son support
Einheit mit Halterung
Ljudprojektor med fästet
Unità con staffa

Unidad con ménsula
Toestel met de beugel
 悬挂时尺寸
 브라켓이 있는 기기
 取付時の寸法



WALL MOUNT BRACKET

SPM-K8

Installation Manual

Thank you very much for purchasing the Wall Mount Bracket SPM-K8. Be sure to read this manual thoroughly before using this bracket. After you have read this manual, retain it for future reference.

When installing the Sound Projector using this bracket, all installation work must be performed by a qualified contractor or dealer personnel. The customer must never attempt to perform this installation work. Improper or inadequate installation could cause the Sound Projector to fall, resulting in personal injury.

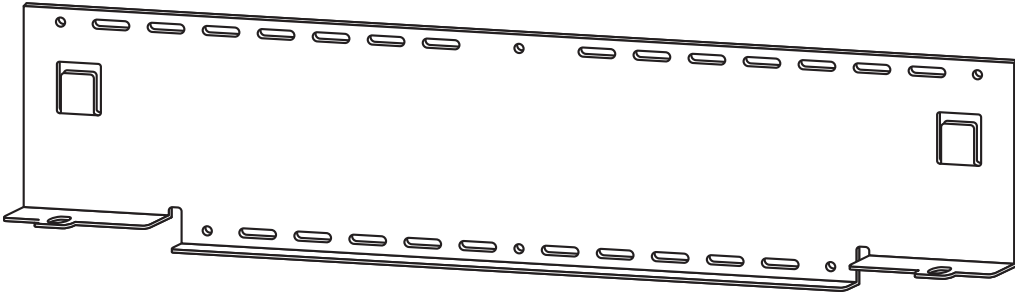
SAFETY INSTRUCTIONS

- **Always follow the instructions set forth in this manual when installing the Sound Projector using this bracket.**
Improper or inadequate installation could cause the Sound Projector to fall, resulting in personal injury.
- **The installation must be secure enough to bear the weight of the Sound Projector, the wall bracket and other hardware indefinitely, and must also be secure enough to withstand vibrations.**
Improper or inadequate installation could cause the Sound Projector to fall, resulting in personal injury.
- **To ensure safety, all screws must be tightened securely.**
Loose screws could cause the Sound Projector to fall, resulting in personal injury.
- **Make sure to leave adequate ventilation space around the unit to allow heat generated by the Sound Projector to dissipate.**
Failure to provide adequate space around the unit could cause the Sound Projector to overheat internally, resulting in a fire.
- **Never hang from the Sound Projector or the wall bracket.**
Hanging from the Sound Projector or the wall bracket could cause the Sound Projector or the wall bracket to fall, resulting in personal injury.
- **Once the Sound Projector is installed, safety checks should be conducted on a regular basis.**
If the Sound Projector is used over an extended period of time, screws can become loose and the installation can become weaker due to the passage of time, vibrations, etc.

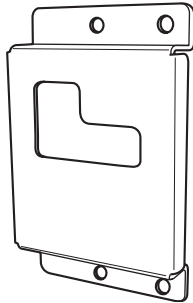
ACCESSORIES

Check that all of the following parts are included.

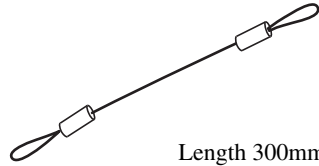
Large wall mount bracket (x1)



Small wall mount brackets (x2)



Safety wires (x2)



Length 300mm

Projector mounting screws
(M6 x 16) (x2)



Projector mounting screws
(M4 x 10) (x8)



Prepare more than six sets of commercially available tapping screws (M4, 25 mm or more in length) and washers in addition to the accessories shown above.

INSTALLATION PROCEDURE

Make sure to leave adequate ventilation space around the unit and follow the instructions below.

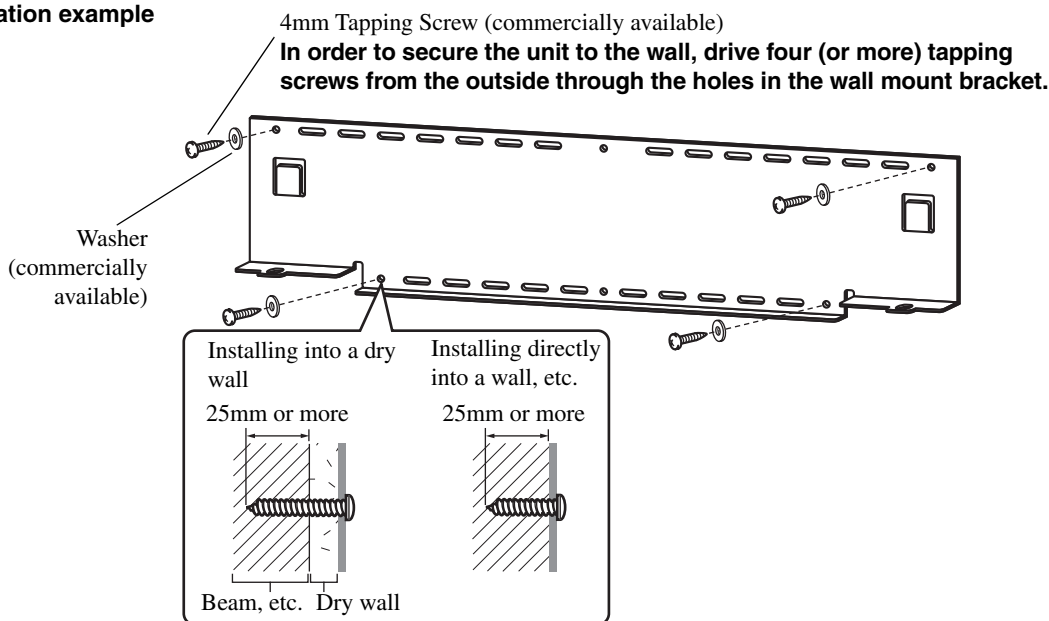
1 Attach the large wall mount bracket to the wall.

In order to secure the unit to the wall, you will need to attach the bracket to the wall first in a manner befitting the structure and quality of the wall.

Choose a location where the wall can bear the weight of the whole unit.

Before installing the bracket, make sure of the size (see “DIMENSIONS” on the first page of this manual).

Installation example

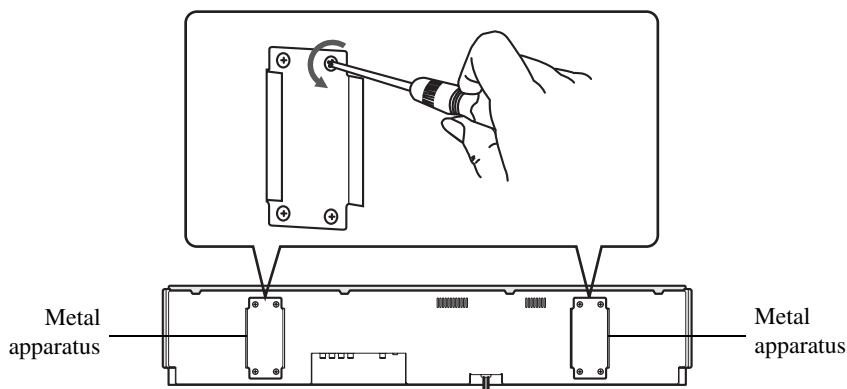


Choose a secure wall or beam to fasten the screws. Do not install them into walls made of weak material that can easily come off, such as mortar or plywood wall panels. Loose screws could cause the projector to fall, resulting in personal injury.

2 Detach the metal apparatuses from the Sound Projector. (Corresponding models only)

If the metal apparatuses are attached to the rear panel of your sound projector, detach them from the rear left and right sides.

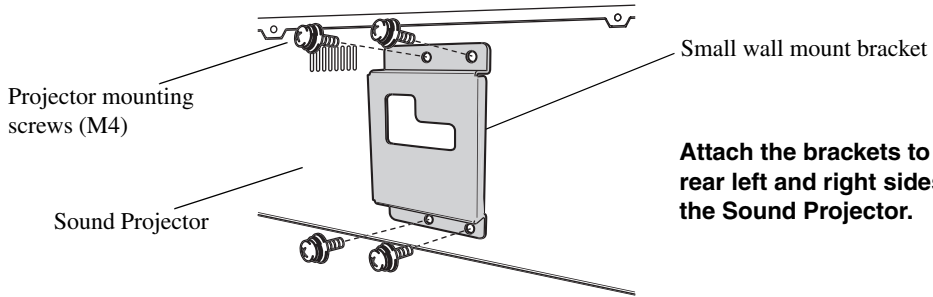
If the metal apparatuses are not attached to the rear panel of your sound projector, proceed to step 3.



3 Attach the small wall mount brackets to the Sound Projector.

Use all of the supplied projector mounting screws (M4 x 10) to securely attach the two small wall mount brackets to the rear left and right sides of the Sound Projector.

Rear View

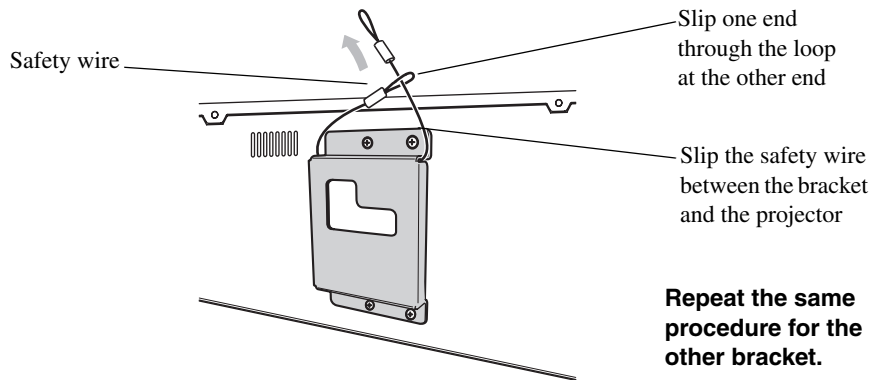


Attach the brackets to the rear left and right sides of the Sound Projector.

- In the unit of the model that the metal apparatuses are not attached, there are felt covers in the holes. In this case, tighten the screws to puncture the felt covers.
- If you tighten the screws on the slant, the screw threads in the projector might be broken. Be careful when using electric tools.

4 Attach the safety wire.

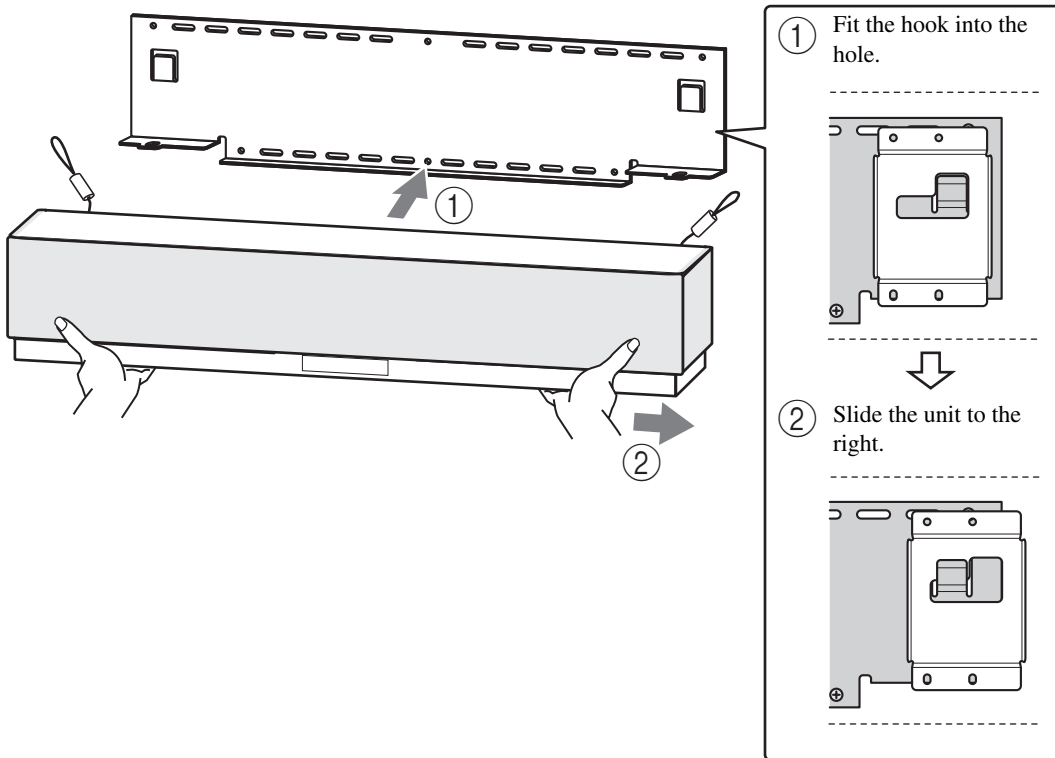
Attach the safety wire to the small wall mount bracket to prevent the Sound Projector from falling.



Repeat the same procedure for the other bracket.

5 Mount the Sound Projector on the wall.

Fit the mounting guide hooks of the small wall mount brackets attached to the Sound Projector into the holes on the left and right sides of the large wall mount bracket and then slide the unit to the right.

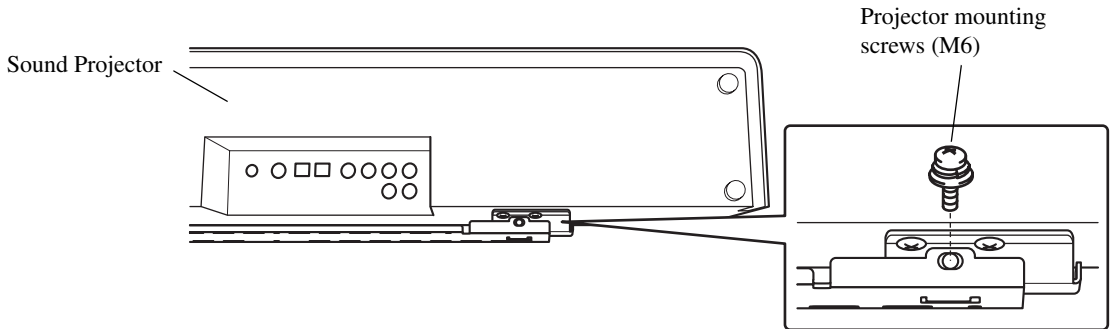


Hold the Sound Projector tight with both hands when attaching or removing the Sound Projector to or from the wall. Holding the Sound projector loosely could cause the Sound projector to fall, resulting in personal injury.

6 Secure the unit.

Align the holes in the large wall mount bracket with the holes in the bottom of the small wall mount brackets, and then use two of the supplied projector mounting screws (M6 x 16) to secure the unit.

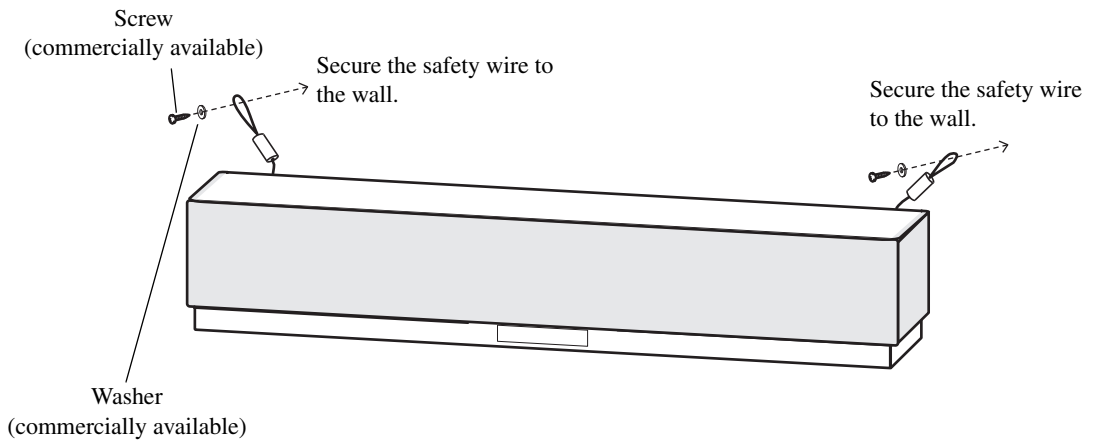
Bottom View



7 Attach the safety wires to the wall.

Pass the screws (commercially available) through the loops of the safety wires and then tighten the screws to secure the safety wires to the wall.

Make sure that the screws are strong enough to bear the weight of the Sound Projector and the brackets in case they fall.



Attach the safety wires tight.



© 2006 YAMAHA CORPORATION All rights reserved.

YAMAHA ELECTRONICS CORPORATION, USA 6660 ORANGETHORPE AVE., BUENA PARK, CALIF. 90620, U.S.A.
YAMAHA CANADA MUSIC LTD. 135 MILNER AVE., SCARBOROUGH, ONTARIO M1S 3R1, CANADA
YAMAHA ELECTRONIK EUROPA G.m.b.H. SIEMENSSTR. 22-34, 25462 RELINGEN BEI HAMBURG, GERMANY
YAMAHA ELECTRONIQUE FRANCE S.A. RUE AMBROISE CROIZAT BP70 CROISSY-BEAUBOURG 77312 MARNE-LA-VALLEE CEDEX02, FRANCE
YAMAHA ELECTRONICS (UK) LTD. YAMAHA HOUSE, 200 RICKMANSWORTH ROAD WATFORD, HERTS WD18 7GQ, ENGLAND
YAMAHA SCANDINAVIA A.B. J A WETTERGRENS GATA 1, BOX 30053, 400 43 VÄSTRA FRÖLUNDA, SWEDEN
YAMAHA MUSIC AUSTRALIA PTY, LTD. 17-33 MARKET ST., SOUTH MELBOURNE, 3205 VIC., AUSTRALIA

ヤマハ株式会社

YAMAHA CORPORATION

Printed in Malaysia ◀ WJ02510